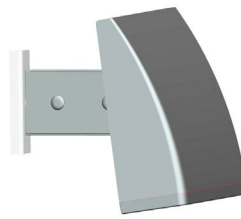


ALED104 INSTALLATION INSTRUCTIONS

Thank you for buying RAB lighting fixtures. Our goal is to design the best quality products to get the job done right. We'd like to hear your comments. Call the Marketing Department at 888-RAB-1000 or email: marketing@rabweb.com



ALED104
Standard (15 Deg)



ALEDC104
Cutoff (7.5 Deg)



ALEDFC104
Full Cutoff (0 Deg)

IMPORTANT

READ CAREFULLY BEFORE INSTALLING FIXTURE. RETAIN THESE INSTRUCTIONS FOR FUTURE REFERENCE.

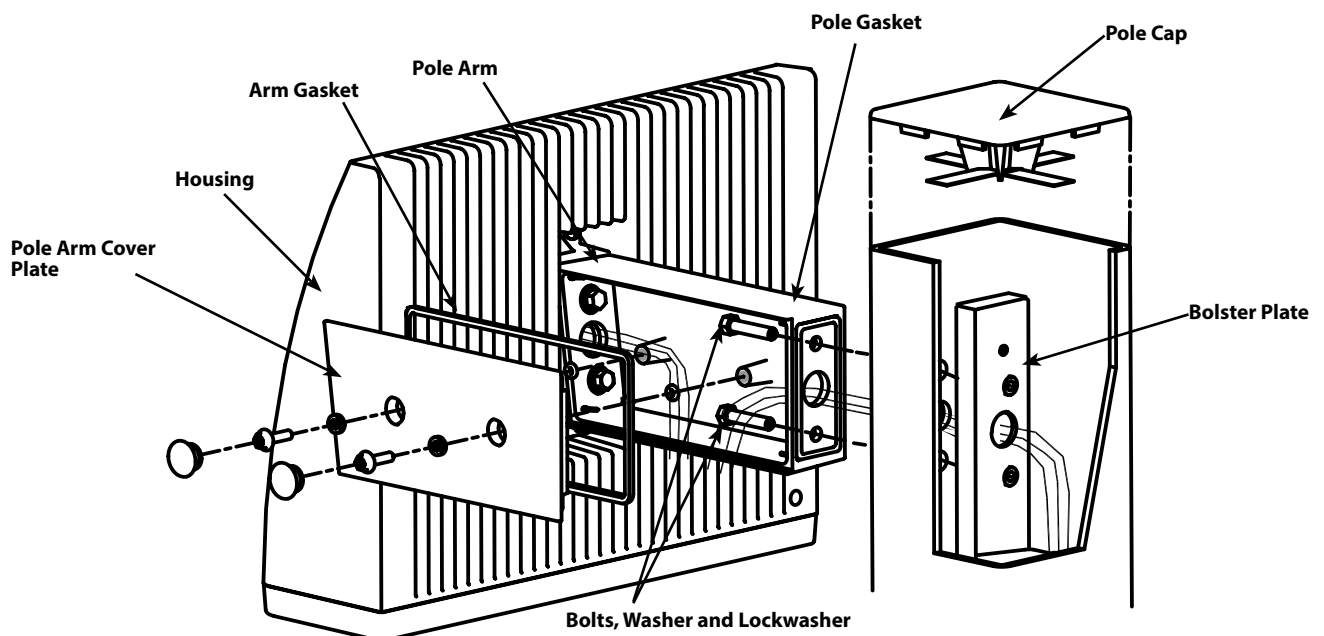
Fixtures must be wired in accordance with the National Electrical Code and all applicable local codes. Proper grounding is required for safety. THIS PRODUCT MUST BE INSTALLED IN ACCORDANCE WITH THE APPLICABLE INSTALLATION CODE BY A PERSON FAMILIAR WITH THE CONSTRUCTION AND OPERATION OF THE PRODUCT AND THE HAZARDS INVOLVED.

WARNING: Make certain power is OFF before installing or maintaining fixture. No user serviceable parts inside.

MOUNTING ALED104 TO POLE

Mount directly to 4" or larger square steel pole. Do not separate **Pole Arm** from **Housing**.

1. Remove Pole **Arm Cover Plate** by loosening two screws.
2. Place **Pole Gasket** between the **Pole Arm** and drilled **Pole** as shown. Line up center hole with center hole in the pole drilling pattern.
3. Insert 3/8-16 x 1 1/4" **Bolts** from the **Pole Arm** thru the top hole of the **Pole** and thread into the Bolster Plate. Longer 2 1/4" bolts provided for use with round pole and round pole adaptor.
4. Knot wires in pole for strain relief and feed wires from the pole into the **Pole Arm**. Make the necessary wiring connections in the **Pole Arm**.
5. Install the **Arm Gasket** on to the **Pole Arm Cover Plate** and secure it with the screws. Cover the screws with provided caps. Install the **Pole Cap**.



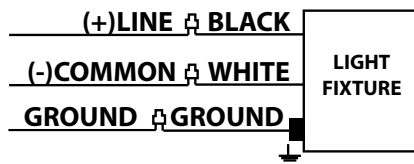
ALED104 INSTALLATION INSTRUCTIONS

Thank you for buying RAB lighting fixtures. Our goal is to design the best quality products to get the job done right. We'd like to hear your comments. Call the Marketing Department at 888-RAB-1000 or email: marketing@rabweb.com

WIRING

Universal voltage driver permits operation at 120V thru 277V, 50 or 60 Hz. Units ordered with (/480V) suffix are 480V.

1. Connect the black fixture lead to the (+) LINE supply lead.
2. Connect the white fixture lead to the (-) COMMON supply lead.
3. Connect the GROUND wire from fixture to supply ground.



TROUBLESHOOTING

1. Check that the line voltage at fixture is correct.
2. Is there voltage at the lamp fixture wires? If there is no voltage, check all connections.
3. Is the fixture grounded properly?

CLEANING & MAINTENANCE

CAUTION: Be sure fixture temperature is cool enough to touch. Do not clean or maintain while fixture is energized.

1. Clean glass lens & fixture with non-abrasive glass cleaning solution.
2. Do not open fixture to clean the LED. Do not touch the LED.

ALED104 Cool



Light Output (Lumens)	10010
Watts	113.3
Lumens per Watt (Efficacy)	88
Color Accuracy Color Rendering Index (CRI)	69
Light Color Correlated Color Temperature (CCT)	5079 (Daylight)

All results are according to IESNA LM-79-2008: *Approved Method for the Electrical and Photometric Testing of Solid-State Lighting*. The U.S. Department of Energy (DOE) verifies product test data and results.

Visit www.lightingfacts.com for the *Label Reference Guide*.

Registration Number: WVMA-2GS1K1 (6/19/2014)
Model Number: ALED104 [Upgrade : 6/3/2014]
Type: Luminaire - Area/Roadway

ALED104 Neutral



Light Output (Lumens)	9823
Watts	107
Lumens per Watt (Efficacy)	92
Color Accuracy Color Rendering Index (CRI)	82
Light Color Correlated Color Temperature (CCT)	3997 (Bright White)

All results are according to IESNA LM-79-2008: *Approved Method for the Electrical and Photometric Testing of Solid-State Lighting*. The U.S. Department of Energy (DOE) verifies product test data and results.

Visit www.lightingfacts.com for the *Label Reference Guide*.

Registration Number: WVMA-KEXOP5 (6/19/2014)
Model Number: ALED104N [Upgrade : 6/3/2014]
Type: Luminaire - Area/Roadway

ALED104 Warm



Light Output (Lumens)	8701
Watts	106
Lumens per Watt (Efficacy)	82
Color Accuracy Color Rendering Index (CRI)	82
Light Color Correlated Color Temperature (CCT)	3124 (Bright White)

All results are according to IESNA LM-79-2008: *Approved Method for the Electrical and Photometric Testing of Solid-State Lighting*. The U.S. Department of Energy (DOE) verifies product test data and results.

Visit www.lightingfacts.com for the *Label Reference Guide*.

Registration Number: WVMA-NNQOB6 (6/19/2014)
Model Number: ALED104Y [Upgrade : 6/3/2014]
Type: Luminaire - Area/Roadway

Note: These instructions do not cover all details or variations in equipment nor do they provide for every possible situation during installation, operation or maintenance.

US: pat. D653,377; CN: ZL201130356930.8; MX: 36921; CA: © - RAB Lighting, Inc

Easy Installation & Product Help

Tech Help Line
Call our experts 888 RAB-1000

rabweb.com
Visit our website for product info

email
Answered promptly sales@rabweb.com

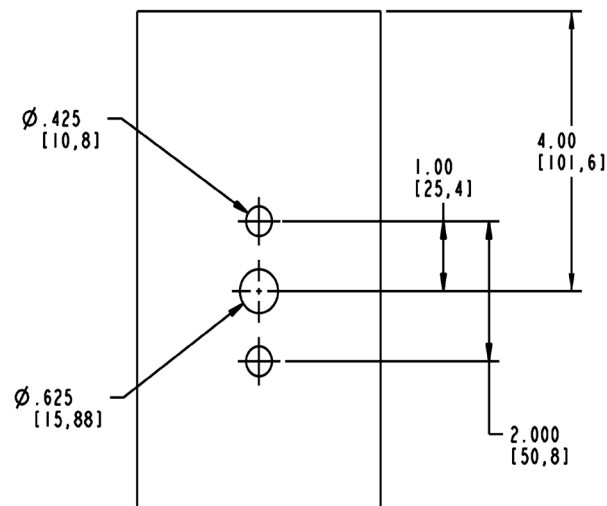
ALED104 INSTALLATION INSTRUCTIONS



Thank you for buying RAB lighting fixtures. Our goal is to design the best quality products to get the job done right. We'd like to hear your comments. Call the Marketing Department at 888-RAB-1000 or email: marketing@rabweb.com

Pole Drilling Detail

For non-RAB poles use these dimensions to drill the pole. This template is not to scale. Please use measurements shown.



ALED104/ WPLED104 BILEVEL SWITCHING



Thank you for buying RAB lighting fixtures. Our goal is to design the best quality products to get the job done right. We'd like to hear your comments. Call the Marketing Department at 888-RAB-1000 or email: marketing@rabweb.com

IMPORTANT

READ CAREFULLY BEFORE INSTALLING FIXTURE. RETAIN THESE INSTRUCTIONS FOR FUTURE REFERENCE.

Fixtures must be wired in accordance with the National Electrical Code and all applicable local codes. Proper grounding is required for safety. THIS PRODUCT MUST BE INSTALLED IN ACCORDANCE WITH THE APPLICABLE INSTALLATION CODE BY A PERSON FAMILIAR WITH THE CONSTRUCTION AND OPERATION OF THE PRODUCT AND THE HAZARDS INVOLVED.

WARNING: Make certain power is OFF before installing or maintaining fixture. No user serviceable parts inside.

WIRING

1. Bi-level fixtures have LED's wired in pairs. The two pairs are shown below.
2. Each pair has leads brought through the pole arm or the wall mounting box and is labeled as shown below.
3. Use the pairs for switching as needed in your application.

