

YARDBLASTER[®] INSTALLATION INSTRUCTIONS

RAB
LIGHTING

Thank you for buying RAB lighting fixtures. Our goal is to design the best quality products to get the job done right. We'd like to hear your comments. Call the Marketing Department at 888-RAB-1000 or email: marketing@rabweb.com



YBLED26



YBLED26/ARM



YBLED26/PCT



YBLED26/ARM/PCT

IMPORTANT

READ CAREFULLY BEFORE INSTALLING FIXTURE. RETAIN THESE INSTRUCTIONS FOR FUTURE REFERENCE.

Fixtures must be wired in accordance with the National Electrical Code and all applicable local codes. Proper grounding is required for safety. THIS PRODUCT MUST BE INSTALLED IN ACCORDANCE WITH THE APPLICABLE INSTALLATION CODE BY A PERSON FAMILIAR WITH THE CONSTRUCTION AND OPERATION OF THE PRODUCT AND THE HAZARDS INVOLVED.

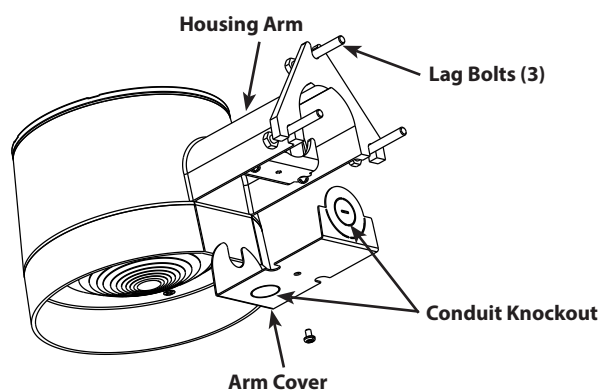
WARNING: Make certain power is OFF before installing or maintaining fixture.

LOCATION

Select a location on a structurally sound, flat wall or pole. Fixture should be located on wall or pole at least 18" below any overhang or other structural detail. Fixture must not be recessed.

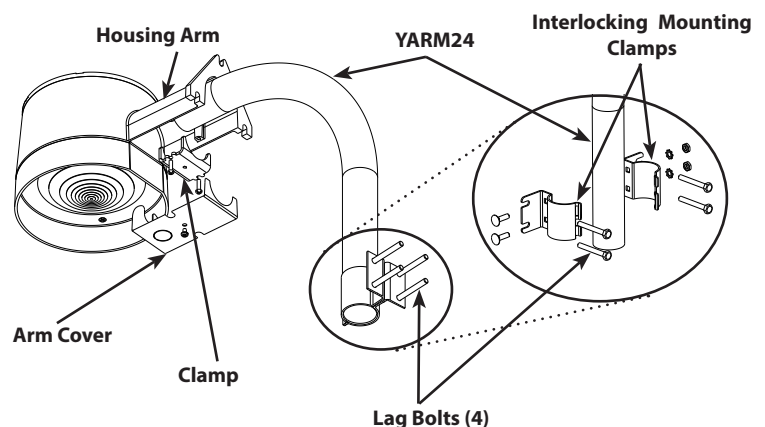
MOUNTING TO WALL

1. Secure the fixture to a sturdy wall. Using the mounting template on the arm as a guide, mark the 3 mounting holes. Drill 3/16" pilot holes and use provided **Lag Bolts (3)** to mount to wooden surface or use appropriate mounting hardware (not supplied) suitable for the mounting surface.
2. Install the 2 bottom **Lag Bolts** first. Screw in the **Lag Bolts** so that there is about 3/8" of space under the head.
3. Place the fixture on these 2 bottom **Lag Bolts**. Install the top **Lag Bolt** then tighten the other 2 bolts.
4. Loosen screw and remove the **Arm Cover**.
5. Knock out the appropriate **Conduit Knockout** on the **Arm Cover** to route input conduit. Use appropriate conduit connectors as required by code. Connect wires as shown in wiring diagram. Push all wires back into the **Housing Arm**. Be careful not to pinch wires.
6. Secure the **Arm Cover** and tighten screw.
7. Apply weatherproof silicone sealant around the edge of the **Housing Arm** and the wall. This is especially important with an uneven wall surface.



YARM24 MOUNTING

1. Secure the **Interlocking Mounting Clamps** around the **YARM24** using the provided truss screws, locknuts and hex-nuts.
2. Mount the **YARM24** to a sturdy wall. Using the mounting template on the **YARM24** mounting plate as a guide, mark the 4 mounting holes. Drill 3/16" pilot holes and use provided **Lag Bolts (4)** to mount to wooden surface or use appropriate mounting hardware (not supplied) suitable for the mounting surface.
3. Remove the **Arm Cover** by loosening the screw. Remove the **Clamp** by loosening the 2 screws on the **Clamp**.
4. Knock out the arm-entry knockout on the **Arm Cover**. Secure the **YARM24** and the **Clamp** in the **Housing Arm** and tighten the clamp screws.
5. Knot wires in **YARM24** for strain relief and feed wires from the **YARM24** into the **Housing Arm**. Make the necessary wiring connections in the **Housing Arm**. Connect wires as shown in wiring diagram. Push all wires back into the **Housing Arm**. Be careful not to pinch wires.
6. Secure **Arm Cover** and tighten the screw.



YARDBLASTER[®] INSTALLATION INSTRUCTIONS

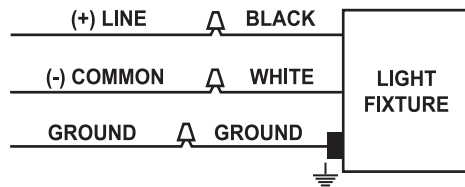


Thank you for buying RAB lighting fixtures. Our goal is to design the best quality products to get the job done right. We'd like to hear your comments. Call the Marketing Department at 888-RAB-1000 or email: marketing@rabweb.com

WIRING

Fixture operates at 110 to 120V AC, 50 or 60 Hz, except fixtures factory ordered with a 120V-277V twistlock photocell (/PCT).

1. Connect the bare copper Ground wire from fixture to supply ground.
2. Connect the BLACK fixture lead to the (+) LINE supply lead.
3. Connect the WHITE fixture lead to the (-) COMMON supply lead.



TROUBLESHOOTING

1. Check that the line voltage at the fixture is correct. Refer to wiring directions.
2. Be sure fixture is grounded properly.
3. Be sure the photocell is functioning properly.

CLEANING & MAINTENANCE

CAUTION: Be sure fixture temperature is cool enough to touch. Do not clean or maintain while fixture is energized.

1. Clean polycarbonate refractor with non-abrasive cleaning solution.
2. Do not open the fixture to clean the LED. Do not touch the LED.

ACCESSORIES

24" Yardblaster Arm:

YARM24

Pat.  713019

Note: These instructions do not cover all details or variations in equipment nor do they provide for every possible situation during installation, operation or maintenance.